



HYDRAULIC ROCK BREAKER

501NG



COMPACT FRAME
WITH HEAVY POWER

DESIGNED FOR
9 TO 16 TONNES CARRIERS

LIGHTER, LEANER,
MORE POWERFUL

TIE RODS FREE BREAKER

BENEFITS

- Hydraulic accumulator: no more regular nitrogen controls and recharges on jobsite.
- Automatic lubrication: cartridge grease pump mounted on breaker, or tank mounted on excavator.
- Made in France: superior quality steel and manufacturing excellence.
- Blank firing protection: increased wear parts lifespan.

HYDRAULIC ROCK BREAKER

COMPACT FRAME WITH HEAVY POWER

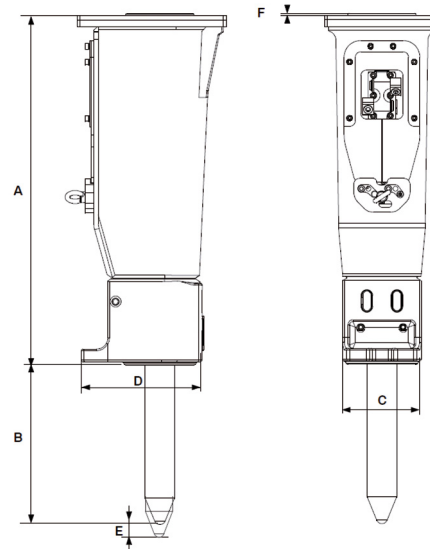
WEIGHT & DIMENSIONS

WEIGHT (KG/LB)

BREAKER	600	1,322
+ MOUNTED TOOL	665	1,465
+ MOUNTED ADAPTER PLATE (MAX)	843	1,858

DIMENSIONS (MM/IN)

A	1,241	48.85
B	567	22.32
C	280	11.02
D	430	16.92
E	51	2
F	8	0.314



OPERATING INFORMATION

CARRIER WEIGHT RANGE (MIN-MAX, MT)	9-16	
OIL FLOW (MIN-MAX, L/MIN, GPM)	80-140	21.1-37
MAXIMUM OPERATING PRESSURE (BAR/PSI)	140	2,031
MAXIMUM BACK PRESSURE (BAR/PSI)	15	218
INPUT POWER (KW)	32.6	
STRIKING FREQUENCY (MIN-MAX, BPM)	420-870	
NOISE LEVEL /10M (DBA)	96	
SOUNDPROOFING	standard	
PRESSURIZATION	preinstalled	

CONSUMABLES

CONSUMABLES	CPN
GREASE CARTRIDGES (X48, HAND PUMP)	86799152
GREASE CARTRIDGES (X48, AUTOMATIC LUBRICATION)	86784758

OPTIONS

OPTIONS	CPN
AUTOMATIC LUBRICATION KIT	86768124
PRESSURIZATION KIT	86777695
ADAPTER PLATE	upon request
SPECIAL PAINTING	upon request

MAINTENANCE KITS

MAINTENANCE KITS	CPN
LEVEL 1	86778180
LEVEL 2	86778198

TOOLS

TOOLS	CPN	CPN	CPN	CPN
DIAMETER (MM/IN)	106/4.17	106/4.17	106/4.17	106/4.17
LENGTH (MM/IN)	1,005/39.56	1,005/39.56	1,005/39.56	1,005/39.56
WEIGHT (KG/LB)	62/137	63/139	66/146	62/137
CPN	86722451	86722154	86722444	86622469



The content of this brochure constitutes non-binding information and may be changed at any time without notice. Montabert gives, and the brochure contains, no warranties whatsoever, express or implied. All the contents, including but not limited to text, images, graphics are all subject to copyright and all intellectual property protection. Their use or misuse is strictly prohibited. Montabert, KMC or Komatsu trademarks used herein are the property of their respective companies. Nothing contained on this document shall be construed as constituting any commitment by Montabert or as granting any license or right to use any intellectual property. ©2019 Montabert. All rights reserved.

montabert.com

