



HYDRAULIC ROCK BREAKER

SC36



KEY ASSET
FOR ALL JOBSITES

DESIGNED FOR 4 TO
10 TONNES CARRIERS

COMPACT AND POWERFUL

LANDSCAPING, DEMOLITION,
TRENCHING, CIVIL ENGINEERING,
INSIDE AND OUTSIDE:
VERSATILE AND EFFICIENT

BENEFITS

- Hydraulic accumulator: no more regular nitrogen controls and recharges on jobsites.
- Tie rod free, lighter tool locking system: less weight, more power and reliability.
- Made in France: superior quality steel and manufacturing excellence.
- Standard soundproofing for urban jobsites.
- Easy to install, operate and maintain.

HYDRAULIC ROCK BREAKER

KEY ASSET FOR ALL JOBSITES

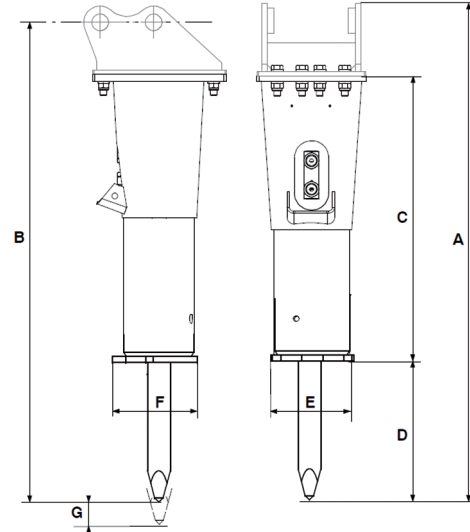
WEIGHT & DIMENSIONS

WEIGHT (KG/LB)

BREAKER	279	615
+ MOUNTED TOOL	304	670
+ MOUNTED ADAPTER PLATE (MAX)	388	855

DIMENSIONS (MM/IN)

A	1711.5	67.3
B	1656.5	65.2
C	979.5	38.5
D	400	15.7
E	240	9.44
F	270	10.62
G	47.5	1.87



OPERATING INFORMATION

CARRIER WEIGHT RANGE (MIN-MAX, MT)	4-10	
OIL FLOW (MIN-MAX, L/MIN / GPM)	55-100	14.5-26.4
MAXIMUM OPERATING PRESSURE (BAR/PSI)	125	1,813
MAXIMUM BACK PRESSURE (BAR/PSI)	20	290
INPUT POWER (KW)	20.8	
STRIKING FREQUENCY (MIN-MAX, BPM)	700-1,540	
NOISE LEVEL /10M (DBA)	93	
SOUNDPROOFING	standard	

CONSUMABLES

GREASE CARTRIDGES (X48)

CPN

86799152

OPTIONS

HOSES PROTECTION KIT	86640703
ADAPTER PLATE	upon request
SPECIAL PAINTING	upon request

CPN

MAINTENANCE KITS

LEVEL 1	86639960
LEVEL 2	86771581
LEVEL 3	86771599

CPN

TOOLS

DIAMETER (MM/IN)	76/2.99	76/2.99	76/2.99
LENGTH (MM/IN)	709/27.9	709/27.9	709/27.9
WEIGHT (KG/LB)	25/55	25/55	25/55
CPN	86639226	86639218	86641438



The content of this brochure constitutes non-binding information and may be changed at any time without notice. Montabert gives, and the brochure contains, no warranties whatsoever, express or implied. All the contents, including but not limited to text, images, graphics are all subject to copyright and all intellectual property protection. Their use or misuse is strictly prohibited. Montabert, KMC or Komatsu trademarks used herein are the property of their respective companies. Nothing contained on this document shall be construed as constituting any commitment by Montabert or as granting any license or right to use any intellectual property. ©2019 Montabert. All rights reserved.

montabert.com

