



HYDRAULIC ROCK BREAKER
V3500



POWER AND
VERSATILITY
FOR ALL JOBSITES

DESIGNED FOR 35 TO
60 TONNES CARRIERS

MAXIMUM IMPACT FORCE
SINCE THE VERY FIRST BLOW

DEMOLITION, QUARRY,
MINES AND TUNNELS, MASS
EXCAVATION, LANDSCAPING,
RECYCLING... A TOOL WHICH
FITTED FOR ANY SITUATION

BENEFITS

- Hydraulic accumulator: no more regular nitrogen controls and recharges on jobsites.
- Automatic lubrication: cartridge grease pump mounted on breaker, or tank mounted on excavator.
- Made in France: superior quality steel and manufacturing excellence.
- Dynamic energy adjustment: two working positions automatically adjusted by the breaker.
- Blank firing protection: increased wear parts lifespan.

HYDRAULIC ROCK BREAKER

POWER AND VERSATILITY
FOR ALL JOBSITES

WEIGHT & DIMENSIONS

WEIGHT (KG/LB)

BREAKER	3,055	6,735
+ MOUNTED TOOL	3,339	7,361
+ MOUNTED ADAPTER PLATE (MAX)	3,852	8,492

DIMENSIONS (MM)

A	2,329	91.69
B	766	31.25
C	660	26
D	525	20.66
E	112	4.40
F	3,095	121.85
G	790	31.1
H	880	34.64

OPERATING INFORMATION

CARRIER WEIGHT RANGE (MIN-MAX, MT)	35-60	
OIL FLOW (MIN-MAX, L/MIN / GPM)	250-320	66-85
MAXIMUM OPERATING PRESSURE (BAR/PSI)	185	2,683
MAXIMUM BACK PRESSURE (BAR/PSI)	15	218
INPUT POWER (KW)	98.6	
STRIKING FREQUENCY (MIN-MAX, BPM)	350-700	
NOISE LEVEL /10M (DBA)	124	
AUTOMATIC LUBRICATION	standard	
SOUNDPROOFING	standard	
INSPECTION KIT	standard	
PRESSURIZATION	preinstalled	

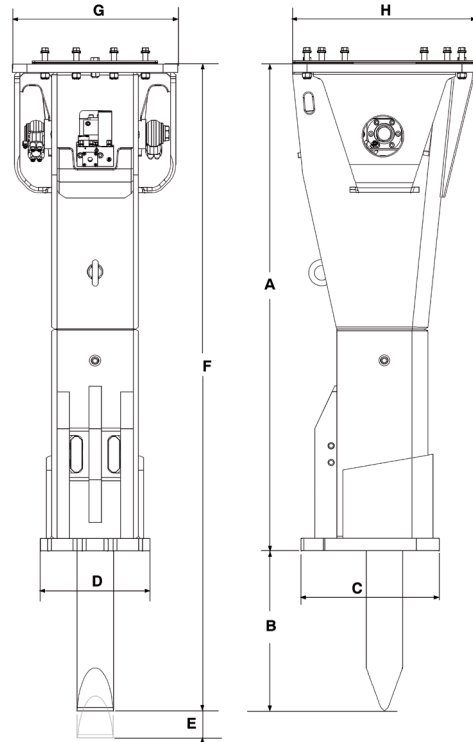
OPTIONS

CPN

PRESSURIZATION KIT	86372505
SOFTSTART	86778800
ADAPTER PLATE	upon request
SPECIAL PAINTING	upon request

TOOLS

DIAMETER (MM/IN)	174/6.85	174/6.85	174/6.85	174/6.85
LENGTH (MM/IN)	1,560/61.42	1,560/61.42	1,560/61.42	1,560/61.42
WEIGHT (KG/LB)	269/594	269/594	271/597	284/626
CPN	86780251	86780277	86780236	86780269



CONSUMABLES

CPN

GREASE CARTRIDGES (X20)	86784758
ABL2 GREASE BUCKET (24 KG)	86772969
ABL1 GREASE BUCKET (24 KG)	86772977

MAINTENANCE KITS

CPN

BASIC	upon request
LEVEL 1	upon request
LEVEL 2	upon request



The content of this brochure constitutes non-binding information and may be changed at any time without notice. Montabert gives, and the brochure contains, no warranties whatsoever, express or implied. All the contents, including but not limited to text, images, graphics are all subject to copyright and all intellectual property protection. Their use or misuse is strictly prohibited. Montabert, KMC or Komatsu trademarks used herein are the property of their respective companies. Nothing contained on this document shall be construed as constituting any commitment by Montabert or as granting any license or right to use any intellectual property. ©2019 Montabert. All rights reserved.

montabert.com

