



HYDRAULIC ROCK BREAKER  
**XL1300**



NITROGEN  
TECHNOLOGY  
AT ITS BEST

**BENEFITS**

DESIGNED FOR 15 TO  
22 TONNES CARRIERS

REDUCED COSTS,  
UNCOMPROMISED  
QUALITY

DESIGNED AND  
PRODUCED  
IN FRANCE

- High performance seals: nitrogen pressure remains stable over time, avoiding time consuming controls and recharges.
- Standard essentials: blank firing protection, energy recovery system, reinforced housing, full range of working tools.
- As green as others: designed and manufactured by Montabert, with the brand usual standards.

## HYDRAULIC ROCK BREAKER

# NITROGEN TECHNOLOGY AT ITS BEST

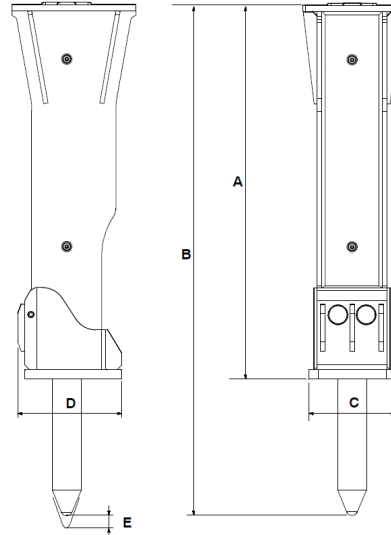
### WEIGHT & DIMENSIONS

#### WEIGHT (KG/LB)

BREAKER	1,096	2,198
+ MOUNTED TOOL	1,195	2,416
+ MOUNTED ADAPTER PLATE (MAX)	1,314	2,897

#### DIMENSIONS (MM/IN)

A	1,607	63.3
B	2,181	85.9
C	370	14.6
D	414	16.3
E	55	2.2



### OPERATING INFORMATION

CARRIER WEIGHT RANGE (MIN-MAX, MT)	15-22	
OIL FLOW (MIN-MAX, L/MIN / GPM)	90-140	23.8-37
MAXIMUM OPERATING PRESSURE (BAR/PSI)	170	2,466
MAXIMUM BACK PRESSURE (BAR/PSI)	20	290
INPUT POWER (KW)	39.6	
STRIKING FREQUENCY (BPM)	355-600	
NOISE LEVEL /10M (DBA)	96	
AUTOMATIC LUBRICATION	standard	standard
SOUNDPROOFING	standard	standard
INSPECTION KIT	standard	standard
PRESSURIZATION	preinstalled	preinstalled

### CONSUMMABLES

CONSUMMABLES	CPN
GREASE CARTRIDGES (X20)	86784758
ABL2 GREASE BUCKET (24 KG)	86772969
ABLF GREASE BUCKET (24 KG)	86772977

### OPTIONS

#### CPN

PRESSURIZATION KIT	86766870
ADAPTER PLATE	upon request
SPECIAL PAINTING	upon request

### MAINTENANCE KITS

#### CPN

BASIC	86754538
-------	----------

### TOOLS

TOOLS	CPN	CPN	CPN	CPN
DIAMETER (MM/IN)	124/4.88	124/4.88	124/4.88	124/4.88
LENGTH (MM/IN)	1100/43.31	1100/43.31	1100/43.31	1100/43.31
WEIGHT (KG/LB)	93/205	95/209	99/218	93/205
CPN	86723632	86725652	86725678	86725660



The content of this brochure constitutes non-binding information and may be changed at any time without notice. Montabert gives, and the brochure contains, no warranties whatsoever, express or implied. All the contents, including but not limited to text, images, graphics are all subject to copyright and all intellectual property protection. Their use or misuse is strictly prohibited. Montabert, KMC or Komatsu trademarks used herein are the property of their respective companies. Nothing contained on this document shall be construed as constituting any commitment by Montabert or as granting any license or right to use any intellectual property. ©2019 Montabert. All rights reserved.

[montabert.com](http://montabert.com)

